

Instructions of Coolmay TK series HMI communicating with other band PLC

HMI model:

- TK6037FH



RX TX B A GND 24V

Pin number	description
RS232 communication port definition	
RXD	receive
TXD	send
GND	Ground/DC24V-
RS485 communication port definition	
A	485+
B	485-
DC24V power supply	
24V	DC24V+
GND	Ground/DC24V-

- TK6043FH/TK6050FH



Pin number	signal	description
RS232 communication port definition		
2	RXD	receive
3	TXD	send
5	GND	ground
RS485 communication port definition		
1	A	485+
6	B	485-

- TK6070FH



Pin number	signal	description
RS232 communication port definition		
2	RXD	receive
3	TXD	send
5	GND	ground
RS485 communication port definition		
	A	485+
	B	485-

1. AD4401 (Japan AIAND weighing controller)

➤ TK software settings

Parameter item	Recommended settings
Protocol	AD-4401 Series
Communication port type	RS232
Communication rate	9600
Synchronization check	Even parity
Number of data	7 digits
Stop digits	1 digit

Add Protocol ×

Protocol: AD-4401 Series

Controller:

Company	Model	Des...
A&D	AD-4401 via RS232	Indi...

Port: Auto Detect(RS232/RS422/RS485)

Baud Rate: 9600 Data Bit: 7Bits

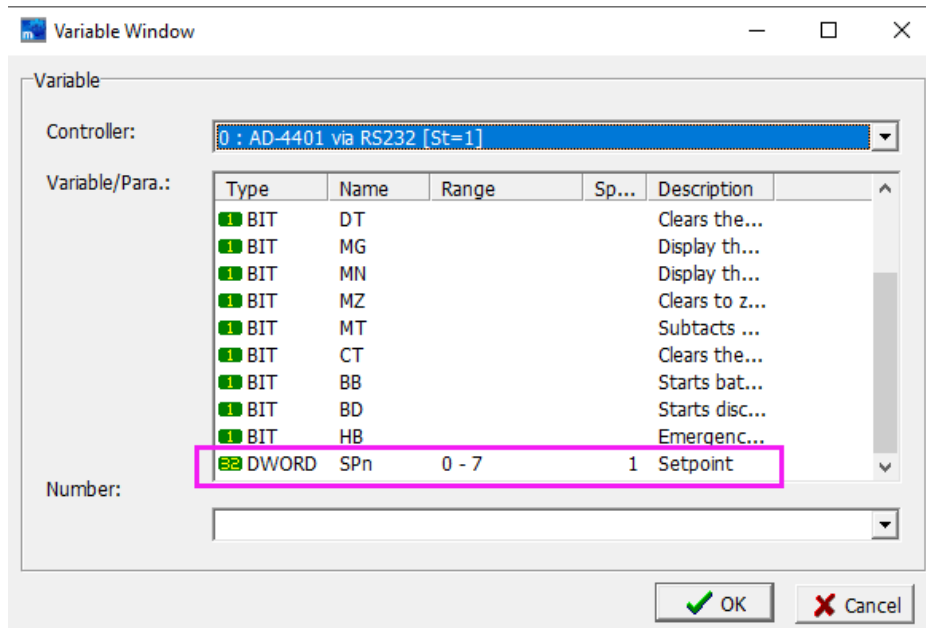
Parity: Even Stop Bit: 1Bit

Delay: 0ms TimeOut: 1sec

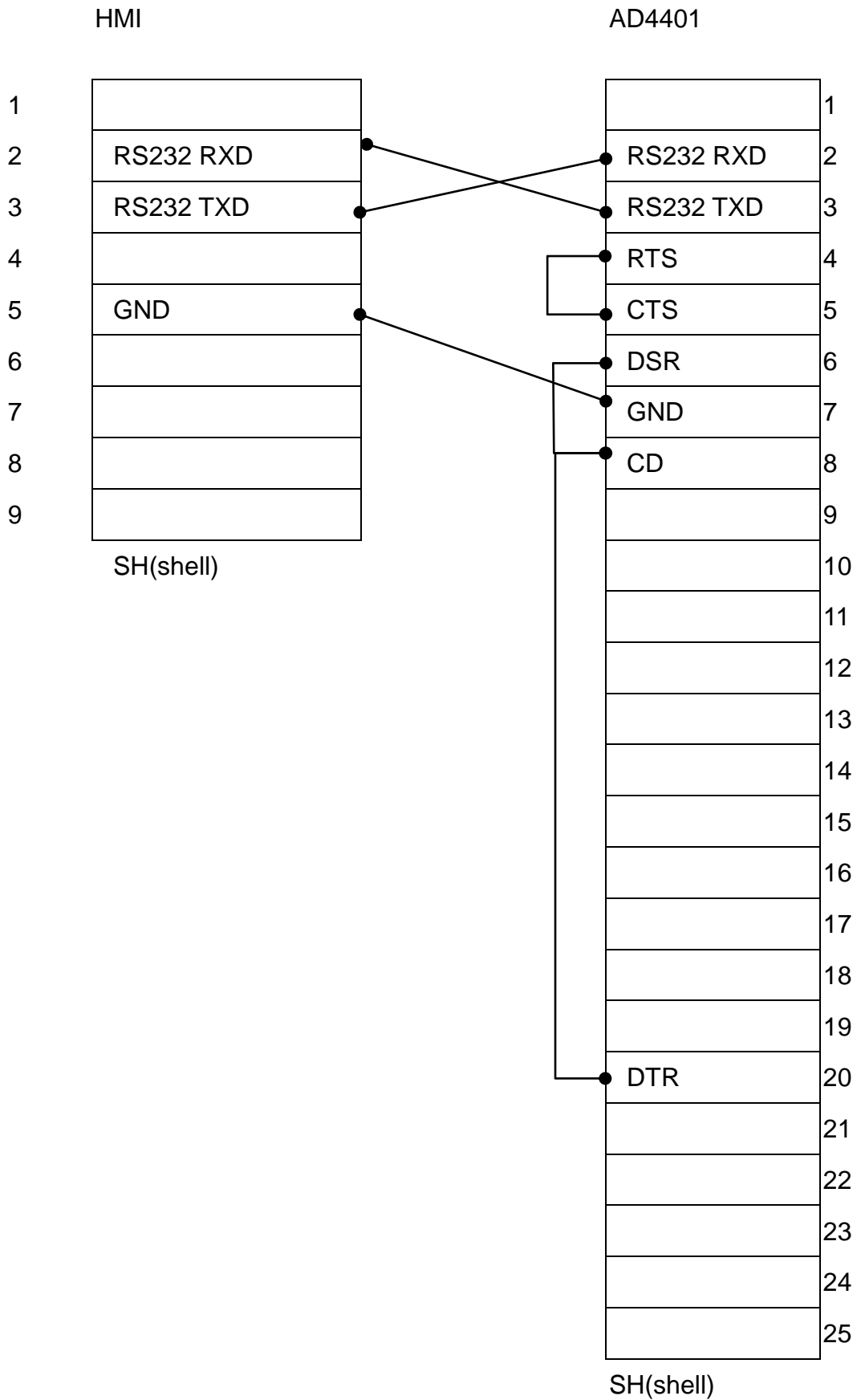
Multi-Station Smart Link Retry Count: Timeout, Repeat

✔ OK
✘ Cancel

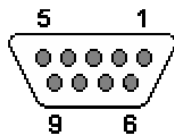
➤ Variable



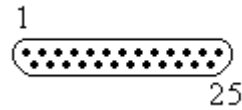
➤ Diagram of TK(COM1)-AD4401 communication cable



DB9(female)Connector



DB25(male)Connector



2. Fuji MICREX-SX Series (Fuji)

➤TK software settings

Parameter item	Recommended settings
Protocol	Fuji MICREX-SX Series
Communication port type	RS232
Communication rate	38400
Synchronization check	Even parity
Number of data	8 digits
Stop digits	1 digit

Protocol

Protocol: Fuji MICREX-SX Series

Controller:

Company	Model	Des...
Fuji electric	MICREX-SX Series	PLC

Port: Auto Detect(RS232/RS422/RS485)

Baud Rate: 38400 Data Bit: 8Bits

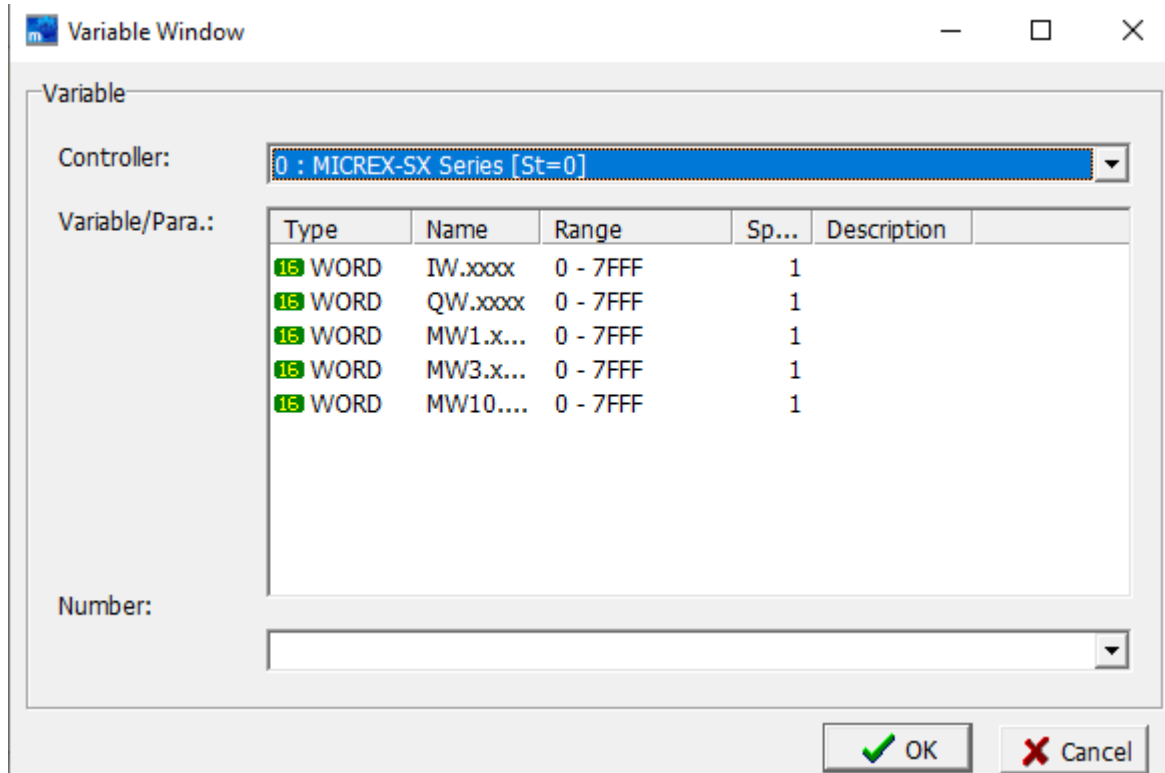
Parity: Even Stop Bit: 1Bit

Delay: 0ms TimeOut: 1sec

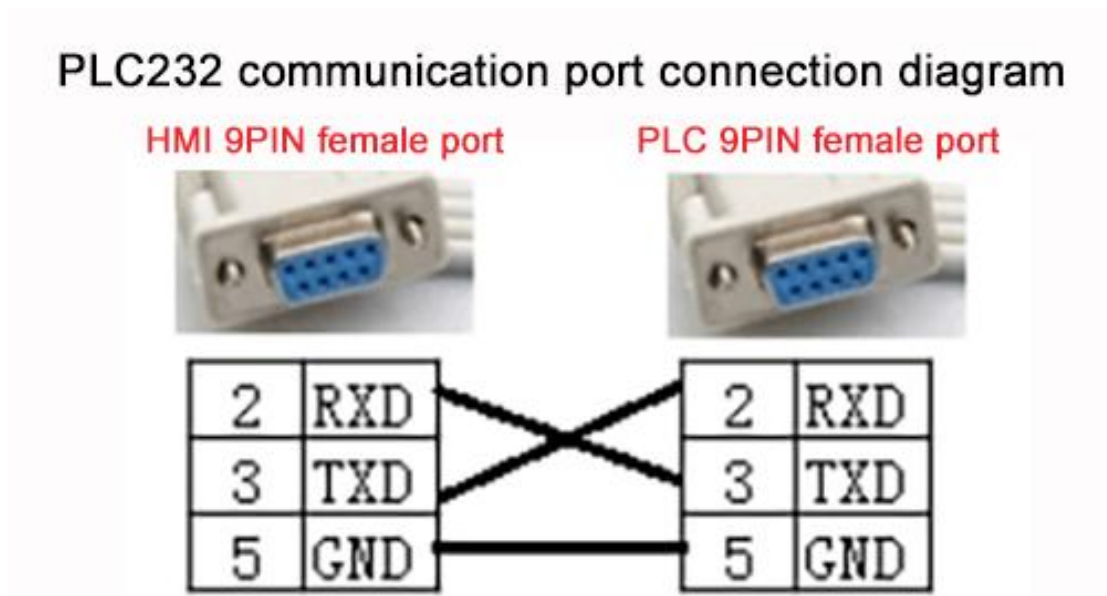
Multi-Station Smart Link Retry Count: Timeout, Repeat

✔ OK
✘ Cancel

➤Manipulable variable



➤ TK-Fuji MICREX-SX Series Communication cable connection diagram (using 232 crossover cable)



3.Mitsubishi FX series

➤ TK software settings

Parameter item	Recommended settings
Protocol	Mitsubishi Fx Series

Communication	RS232
Communication	9600
Synchronization	Even parity
Number of data	7 digits
Stop digits	1 digit

Protocol

Protocol: Mitsubishi FX Series

Controller:

Company	Model	Des...
Mitsubishi	FX Series	PLC
Mitsubishi	FX1S Series	PLC

Port: Auto Detect(RS232/RS422/RS485)

Baud Rate: 9600 Data Bit: 7Bits

Parity: Even Stop Bit: 1Bit

Delay: 0ms TimeOut: 1sec

Multi-Station Smart Link Retry Count: Timeout, Repeat

✔ OK
✘ Cancel

➤ Manipulable variable

Variable

Controller: 0 : FX Series [St=1]

Variable/Para.:

Type	Name	Range	Sp...	Description
1 BIT	Xooo	0 - 177	1	
1 BIT	Yooo	0 - 177	1	
1 BIT	Mnnnn	0 - 1023	1	
1 BIT	Mnnnn	8000 - 8255	1	
1 BIT	Snnn	0 - 999	1	
1 BIT	Tnnn	0 - 255	1	
1 BIT	Cnnn	0 - 255	1	
15 WORD	RTnnn	0 - 255	1	
15 WORD	RCnnn	0 - 199	1	
32 DWORD	DRCnnn	200 - 255	1	

Number:

✔ OK
✘ Cancel

➤TK-FX Series Communication line connection diagram (using Mitsubishi programming line, namely SC-11/SC-09)

MT series touch side with 9 holes
D-shaped female connector



2	RXD
3	TXD
5	GND

FX series PLC side with 8-pin
male connector



PLC programming port pin definition

PIN number	Signal	Description
1	RXD-	Accept negative
2	RXD+	Accept positive
3	GND	ground
4	TXD-	Send negative
5	+5V	External power supply
6	CCS	Communication direction control line
7	TXD+	Send positive
8	NC	Empty foot

4. Keyence KV series

➤TK software settings

Parameter item	Recommended
Protocol	Keyence KV Series
Communication port type	RS232
Communication rate	9600
Synchronization check	Even parity
Number of data	8 digits
Stop digits	1 digit

Protocol

Protocol: Keyence KV Series

Controller:

Company	Model	Des...
Keyence	KV Series	PLC

Port: Auto Detect(RS232/RS422/RS485)

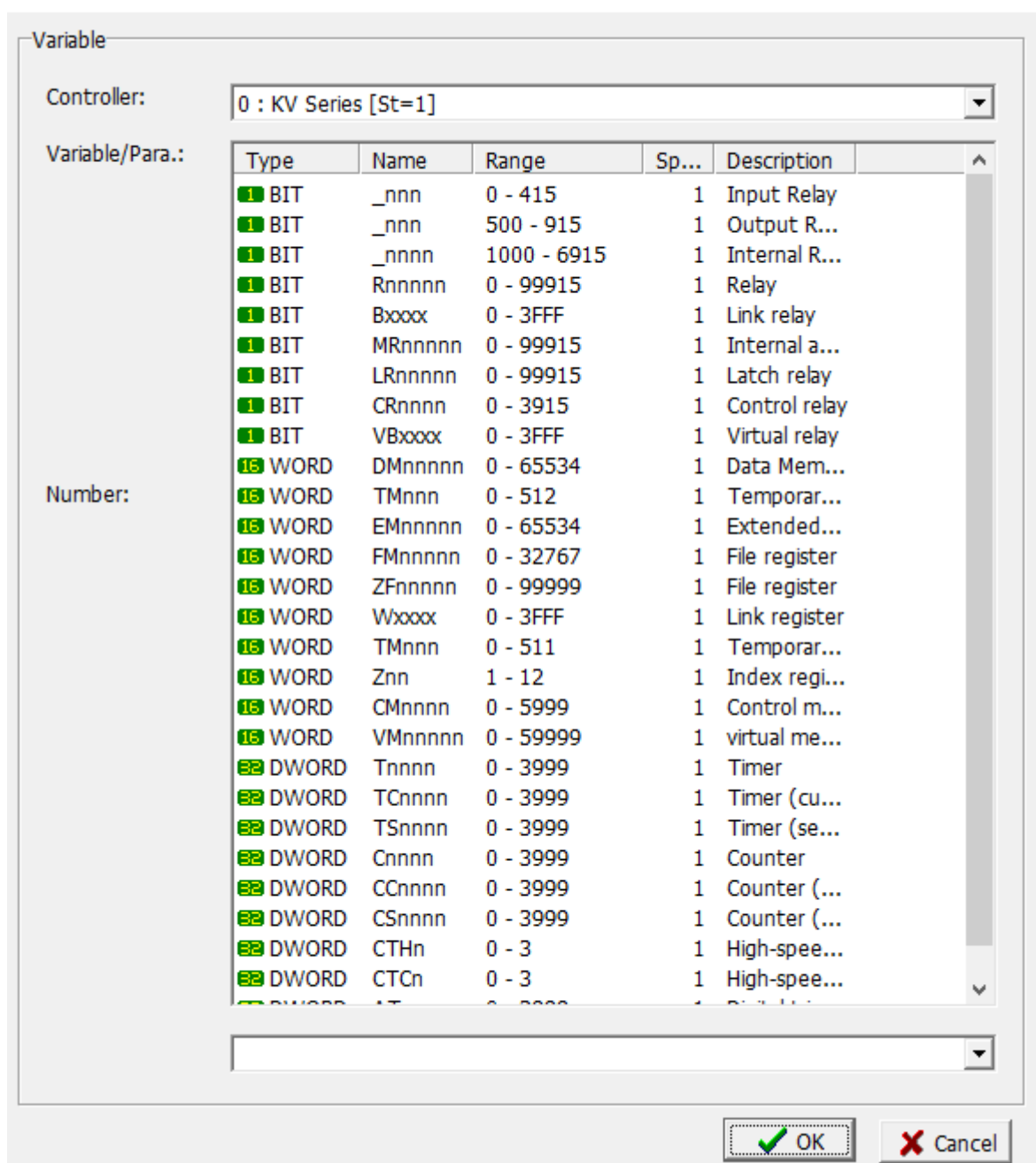
Baud Rate: 9600 Data Bit: 8Bits

Parity: Even Stop Bit: 1Bit

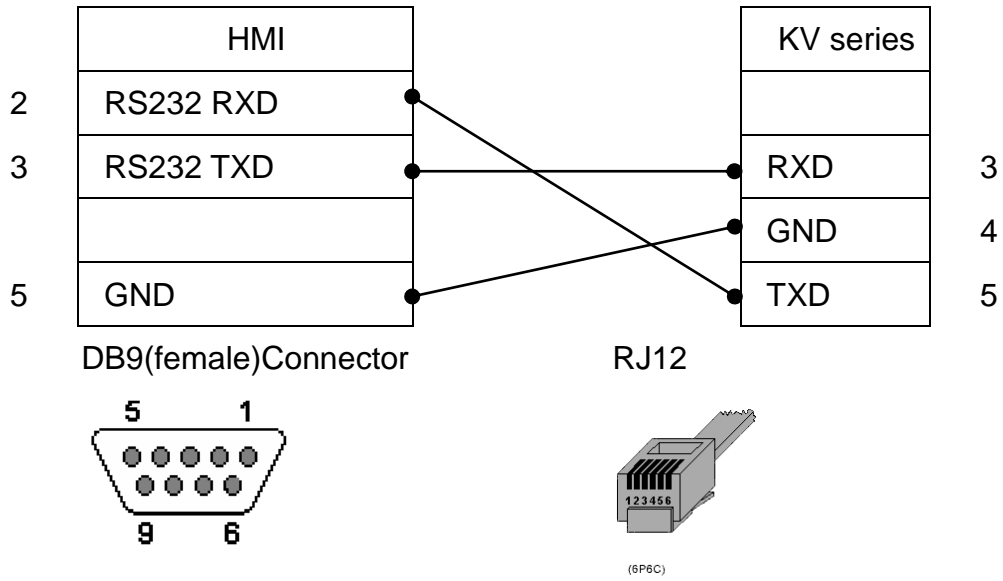
Delay: 0ms TimeOut: 1sec

Multi-Station Smart Link Retry Count: Timeout, Repeat

➤ Manipulable variable



➤TK-Keyence KV Communication line connection diagram



5.Koyo K sequence series

➤TK software settings

Parameter item	Recommended
Protocol	Koyo K sequence
Communication port	RS232
Communication rate	9600
Synchronization check	Odd parity
Number of data	8 digits
Stop digits	1 digit

Protocol

Protocol: Koyo K sequence

Controller:

Company	Model	Des...
Koyo	Koyo DL Series	PLC

Port: Auto Detect(RS232/RS422/RS485)

Baud Rate: 9600 Data Bit: 8Bits

Parity: Odd Stop Bit: 1Bit

Delay: 0ms TimeOut: 1sec

Multi-Station Smart Link Retry Count: Timeout, Repeat

✔ OK
✘ Cancel

➤ Manipulable variable

Variable

Controller: 0 : Koyo DL Series [St=1]

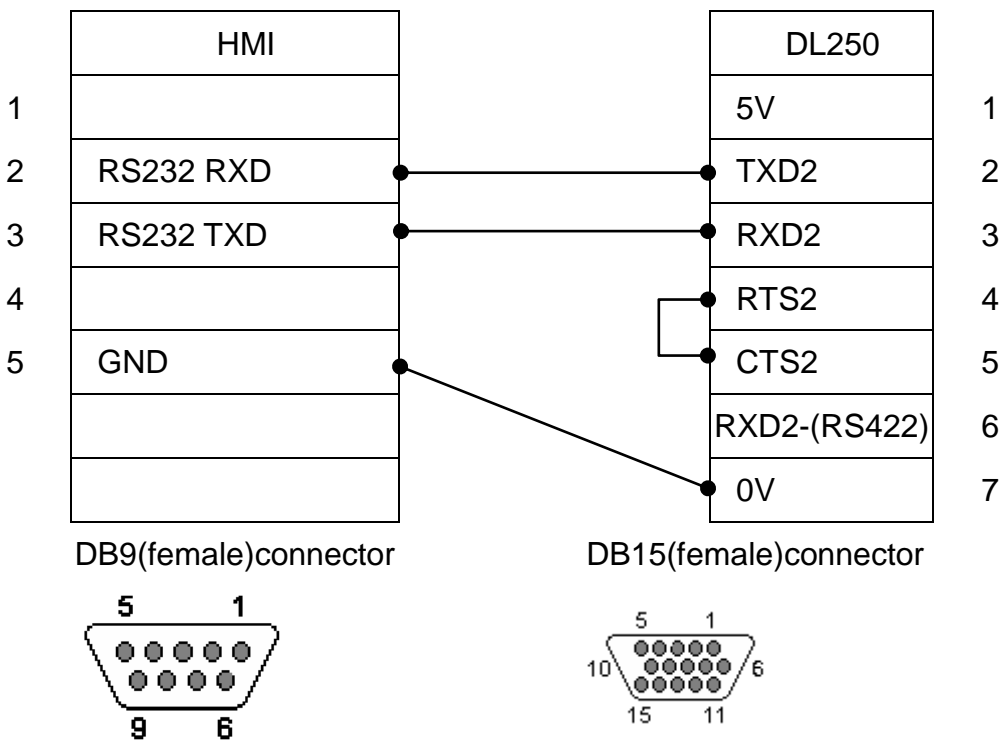
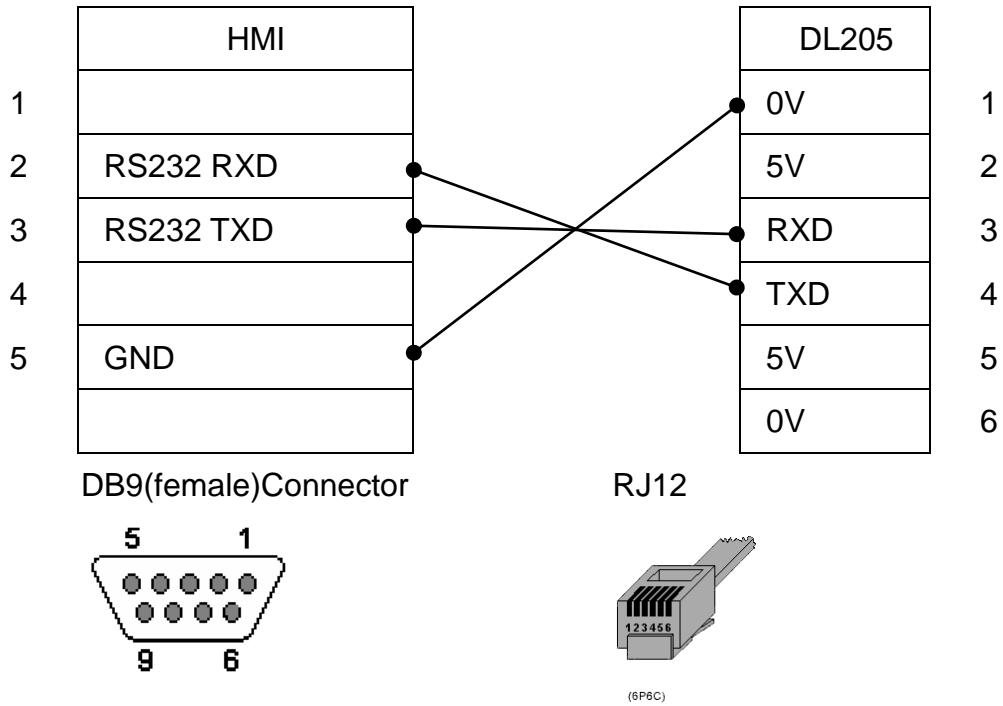
Variable/Para.:

Type	Name	Range	Sp...	Description
1 BIT	X0000	0 - 3777	1	
1 BIT	Y0000	0 - 3777	1	
1 BIT	T0000	0 - 3777	1	
1 BIT	C0000	0 - 3777	1	
1 BIT	S0000	0 - 3777	1	
1 BIT	M0000	0 - 3777	1	
1 BIT	P0000	0 - 7777	1	
1 BIT	SP0000	0 - 3777	1	
1 BIT	GQ0000	0 - 7777	1	
1 BIT	GX0000	0 - 7777	1	
16 WORD	V00000	0 - 77777	1	

Number:

✔ OK
✘ Cancel

➤TK-Koyo K sequence Communication line connection diagram



6.LG series

➤TK Software settings

Parameter item	Recommended settings
Protocol	LG Master-K K120S Series
Communication	RS232
Communication	38400
Synchronization	No information
Number of data	8 digits
Stop digits	1 digit

Protocol

Protocol: LG Master-K K120S Series

Controller:

Company	Model	Des...
LG	K120S Series	LG ...

Port: Auto Detect(RS232/RS422/RS485)

Baud Rate: 38400 Data Bit: 8Bits

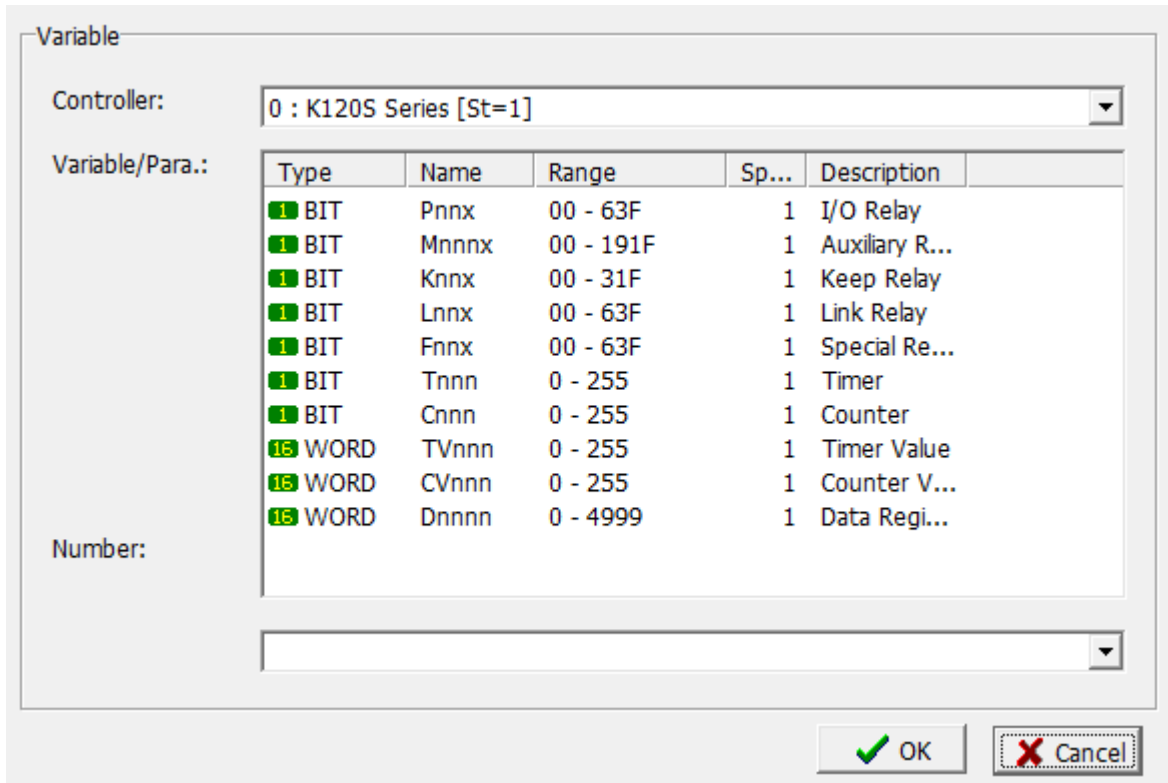
Parity: None Stop Bit: 1Bit

Delay: 0ms TimeOut: 1sec

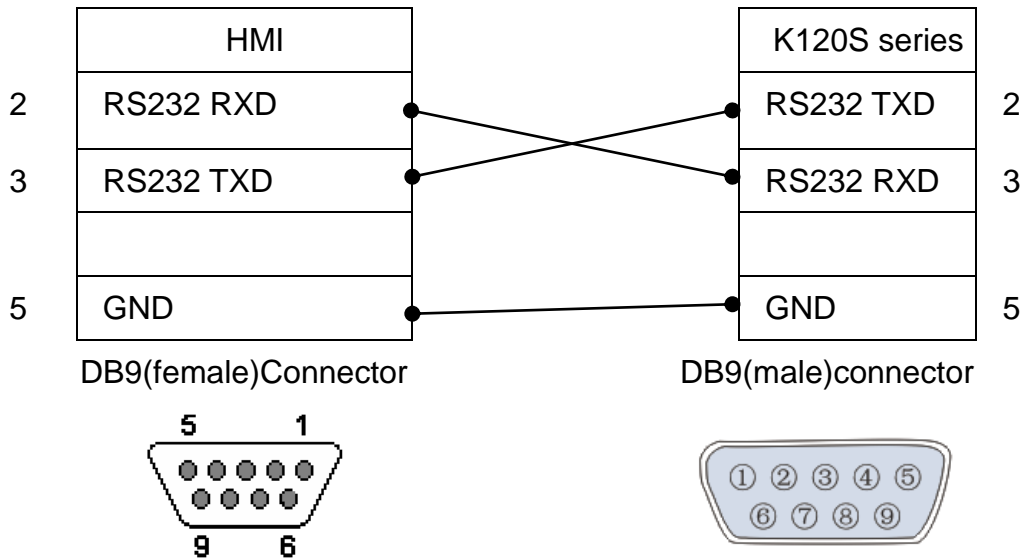
Multi-Station Smart Link Retry Count: Timeout, Repeat

OK Cancel

➤Manipulable variable



➤TK-LG Master-K120S Communication line connection diagram



7. OMRON C series

➤TK Software settings

Parameter item	Recommended settings
----------------	----------------------

Protocol	Omron C Series
Communication port	RS232
Communication rate	9600
Synchronization check	Even parity
Number of data	7 digits
Stop digits	2 digits

Protocol

Protocol: **Omron C Series** ▼

Controller:

Company	Model	Des...	▲
Omron	C Series	PLC	
Omron	CV Series	PLC	
Omron	CJ1G/H Series	PLC	
Omron	CJ1M Series	PLC	▼

Port: **Auto Detect(RS232/RS422/RS485)** ▼

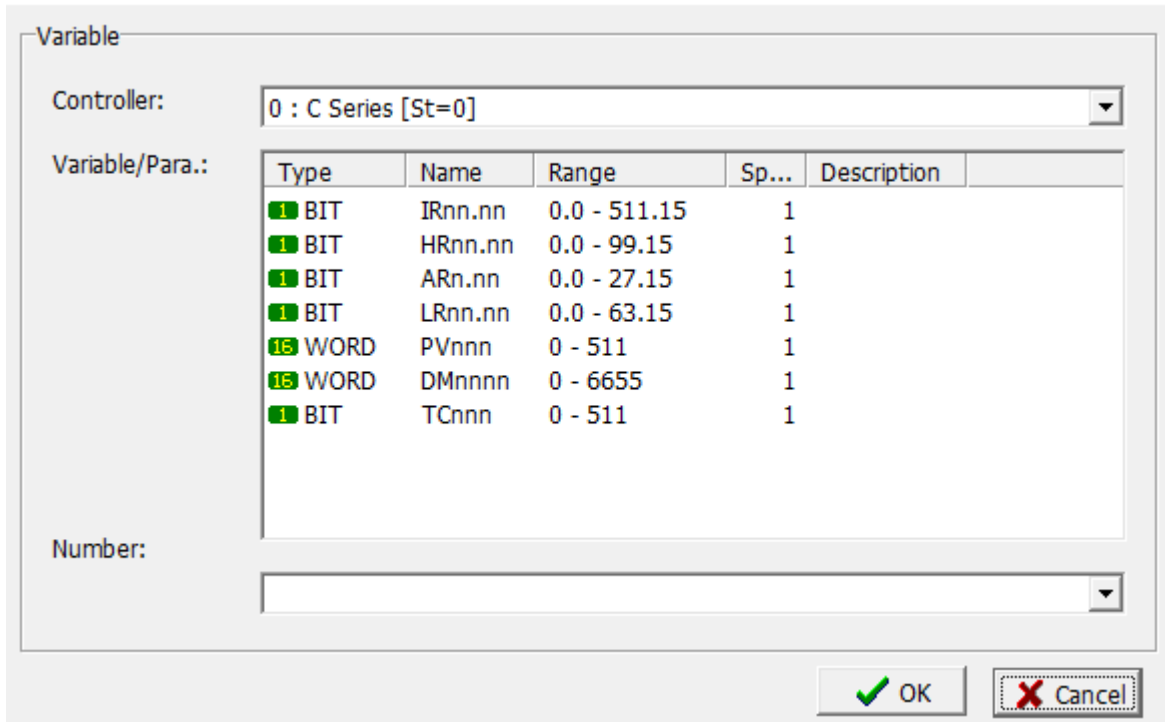
Baud Rate: **9600** ▼ Data Bit: **7Bits** ▼

Parity: **Even** ▼ Stop Bit: **2Bits** ▼

Delay: **0ms** ▼ TimeOut: **1sec** ▼

Multi-Station Smart Link Retry Count: **Timeout, Repeat** ▼

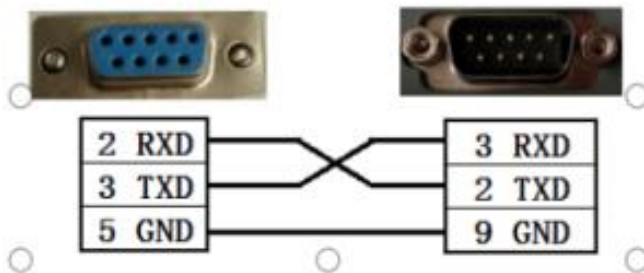
➤ Manipulable variable



➤TK-OMRON communication cable connection diagram

MT series touch side with 9 holes D-shaped female connector

Omron series PLC side 9-pin D-shaped male connector



8.Siemens S7-200 series

➤TK Software settings

Parameter item	Recommended settings
Protocol	Simatic S7-200 Series
Communication	RS485
Communication	9600
Synchronization	Even parity
Number of data	8 digits
Stop digits	1 digit
Communication	1 second

Protocol

Protocol:

Controller:

Company	Model	Des...
SIEMENS	Simatic S7-200	PLC

Port:

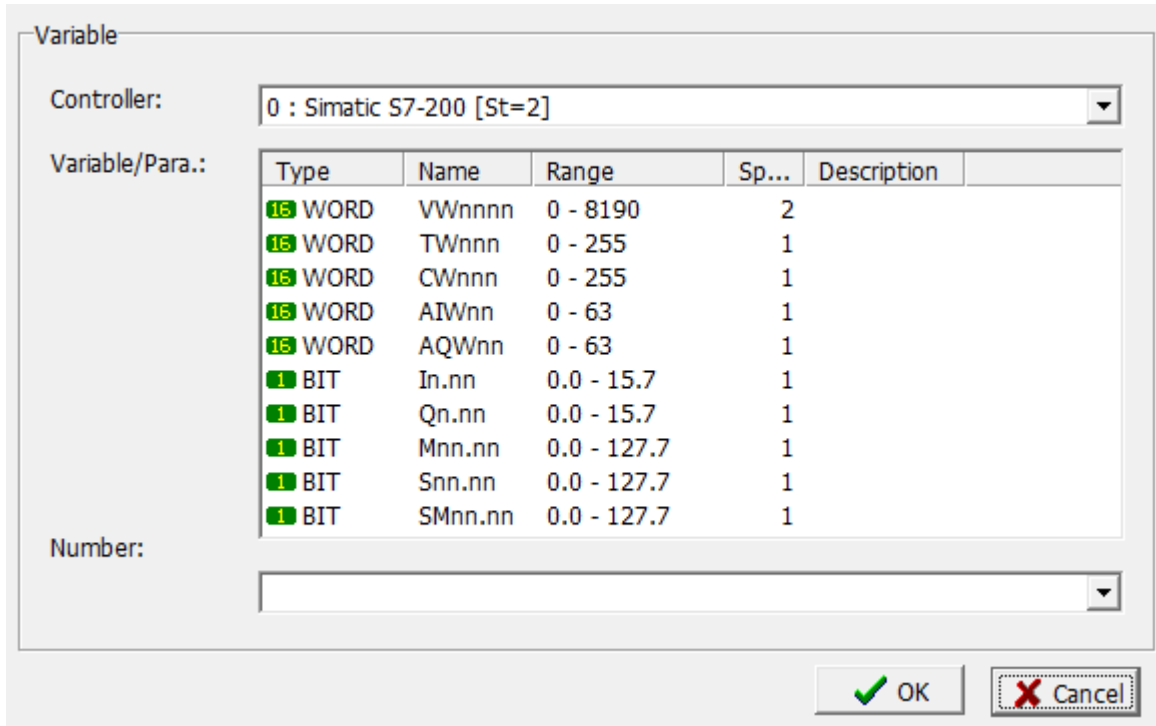
Baud Rate: Data Bit:

Parity: Stop Bit:

Delay: TimeOut:

Multi-Station Smart Link Retry Count:

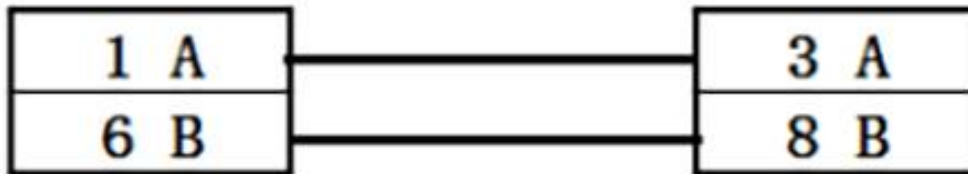
➤ Manipulable variable



➤TK-Siemens S7-200 communication line connection diagram

MT series touch side with 9 holes D-shaped female connector

S7-200 series PLC side 9 pin D type male connector



9.Delta DVP series

➤TK Software settings

Parameter item	Recommended settings
Protocol	DELTA DVP Series

Communication port type	RS232
Communication rate	9600
Synchronization check	Even parity
Number of data	7 digits
Stop digits	1 digit
Communication timeout	1 second

Protocol

Protocol: DELTA DVP Series

Controller:

Company	Model	Des...
DELTA	DVP ES/EX/SS Series	PLC
DELTA	DVP SA/SX/SH Series	PLC
DELTA	DVP EH Series	PLC
DELTA	DVP ES2/EX2/SS2 Series	PLC

Port: Auto Detect(RS232/RS422/RS485)

Baud Rate: 9600 Data Bit: 7Bits

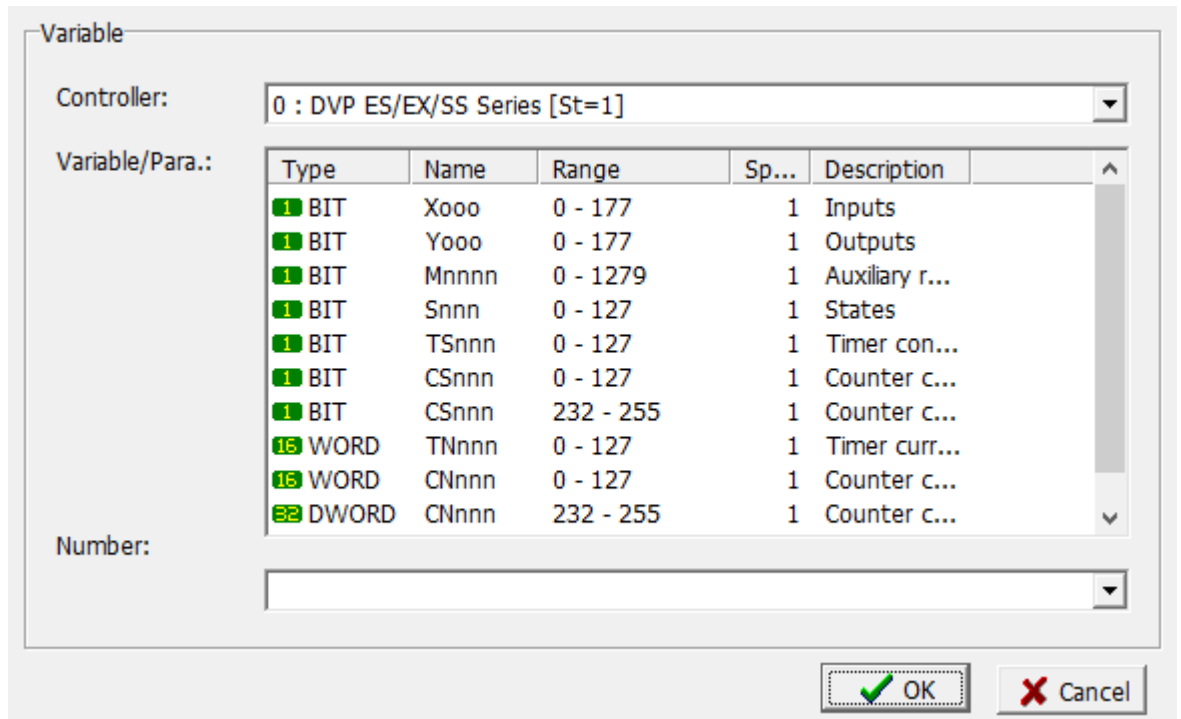
Parity: Even Stop Bit: 1Bit

Delay: 0ms TimeOut: 1sec

Multi-Station Smart Link Retry Count: Timeout, Repeat

✔ OK
✘ Cancel

➤Manipulable
variable



➤K-Delta DVP communication cable connection diagram

